



SFE PROD 2x20+

SUPERCritical FLUID EXTRACTION SYSTEM
FOR PRODUCTION SCALE

STANDARD RANGE

SFE PROD 2x20+

+ We always talk about **effective loading capacity**,
not about the volume of the extractor

- 2x25+
- 2x50+
- 2x100+
- 2x5+
- 2x10+

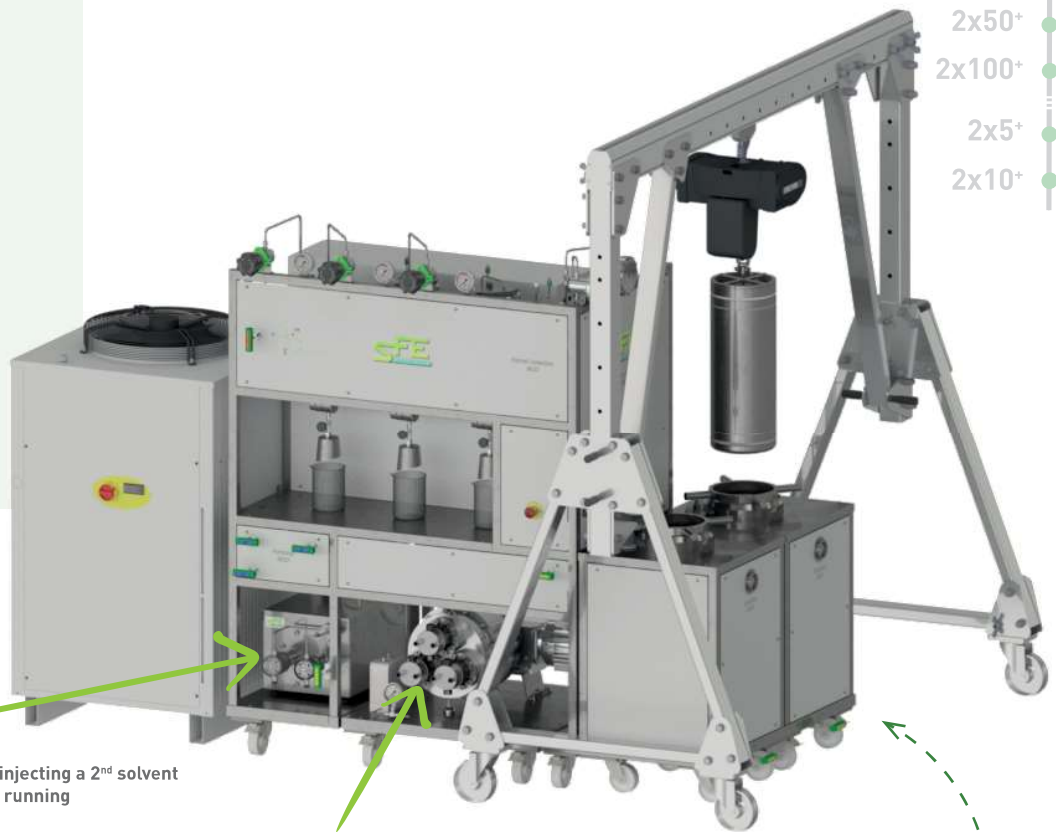
Extraction

Loading capacity	2 x 20L net
Extractor volume	2 x 22,4L
CO ₂ flowrate	100 kg/h
Max pressure	400 bar
Max temperature	100°C

Separation

Capacity	2 x 5L heated 1 x 3L cold trap
Max pressure	200 bar
Max temperature	100°C

➔ Independent pressure and temperature control allows extract fractionation



Co-solvent pump

- > Boost and increase your CO₂ extraction by injecting a 2nd solvent into the CO₂ stream while the extraction is running
- > Allows an easy cleaning of the machine
- > Included in the standard equipment

Innovative CO₂ piston pump

- > Flowrate is automatically controlled with a frequency drive and an integrated flow controller
- > Use of a coriolis flowmeter

Plug & Play

Easy to install, start up and use
User friendly system



100% automated process

Fully automated extract collection, valves, vessel switching, data recording...
Preset recipes
Operator free: all you need to do is press the start button !



PLC control

User friendly control panel, multiple connections for remote control
No computer obsolescence



Continuous production

No time loss: possibility to load another basket while extraction is going on



Compact

Minimum footprint
Easy access to all components

Modular, Mix & Match system

Expandable capacities (possibility to add extractors) and flexible skids
Xtramile optimisation (contact us for customised process optimisation)



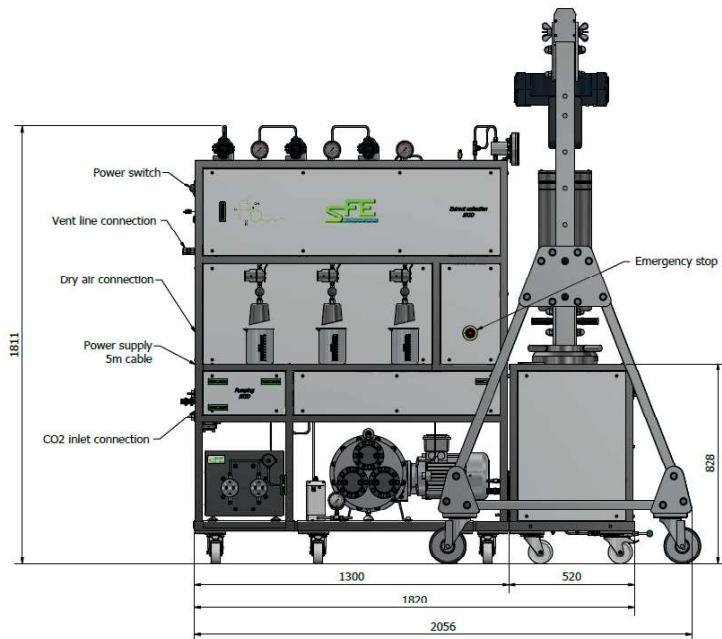
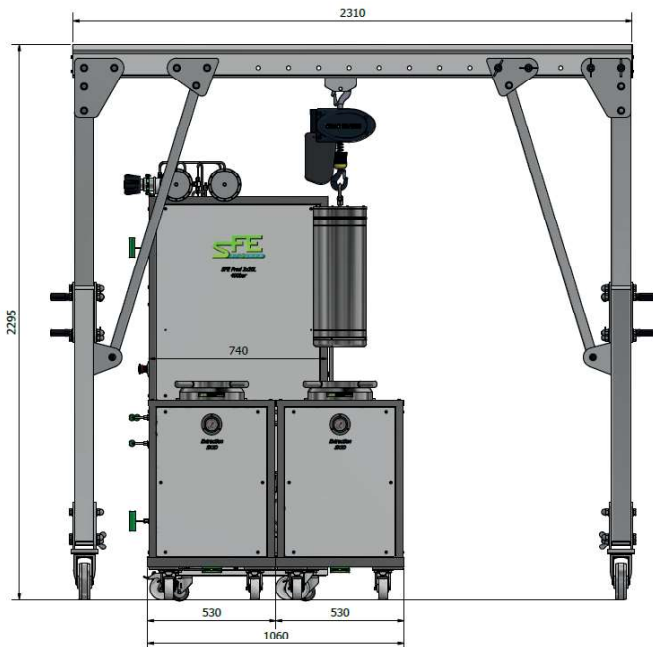
Service & support

Reliable service and expert support
Installation, commissioning, training, maintenance, scale up



Premium equipment

High standards
Safe technology, secured parameters and data recording



Technical data / installation requirements

- Process fluid** Liquid CO₂ deep pipe cylinder stored at room temperature
1/4" OD pipe
- Power** Equipment: 3-phase / 400V / 50Hz / 32A
Chiller: 3-phase / 400V / 16A circuit-breaker / 53A starting current / 63A electrical protection recommended
Overhead crane: single-phase / 230V / 32A directly plugged into and powered by the equipment
- Vent line** 1/2" OD pipe
- Cooling source** A water chiller, supplied by SFE Process must also be connected to the skid with two 3/4" tubes. The chiller can be placed next to the system, outside or in a adjacent ventilated room.
- Air pressure** @7,5 bar - oil free (not supplied)
- Dimensions** Complete solution: **L 2 056 x W 2 310 x H 2 295 mm**
Equipment: **L 1 820 x W 1 060 x H 1 811 mm** | Chiller: **L 760 x W 760 x H 1 335 mm**
- Weight** Equipment: 1 750 kg | Chiller: 160 kg



State-of-the-art design and technology

All our systems are CE marked for Europe according to the PED/2014/68/UE norm. Our systems can be adapted to international standards: ASME, CRN...



4 versions available: • Standard • GMP ready • full GMP • 21 CFR PART 11

Examples of performance achieved by our customers using a SFE Prod 2x20+

With our SFE Prod 2x20+	Cannabis extraction Bulk density: 0,3	Vanilla extraction Bulk density: 0,05
Feedstock processed per extraction	2 x 6 kg	2 x 1 kg
Duration of a full extraction	4 hours	1,5 hours
Feedstock processed over 24h	up to 72 kg	up to 32 kg
Feedstock processed over a year*	up to 17 280 kg	up to 7 680 kg

*Calculated on a 24h/day, 240 days/year operation basis



of your valuable compounds is extracted



CDB concentration of your plant

Quantity of oil / year
5% → 864 kg
10% → 1 728 kg
15% → 2 592 kg



1 phase ~ 6 to 7%
Multiphase ~25 to 26%
Complete vanilla oil

Quantity of oil / year
→ 461 to 538 kg
→ 1 920 to 1 997 kg

These are theoretical figures that will vary according to the quality of your raw material.

Jérémy LAGRUE | Founder & CEO
jlagrue@sfe-process.com | +33 6 13 90 17 54

Brice SARRAIL | Managing Director & CTO
bsarrail@sfe-process.com | +33 6 71 32 95 17

Romain DA COSTA | International Sales Manager
rdacosta@sfe-process.com | +33 7 66 44 99 05

Please contact our experts for a custom-made solution!



Leading designer of innovative supercritical CO₂ solutions